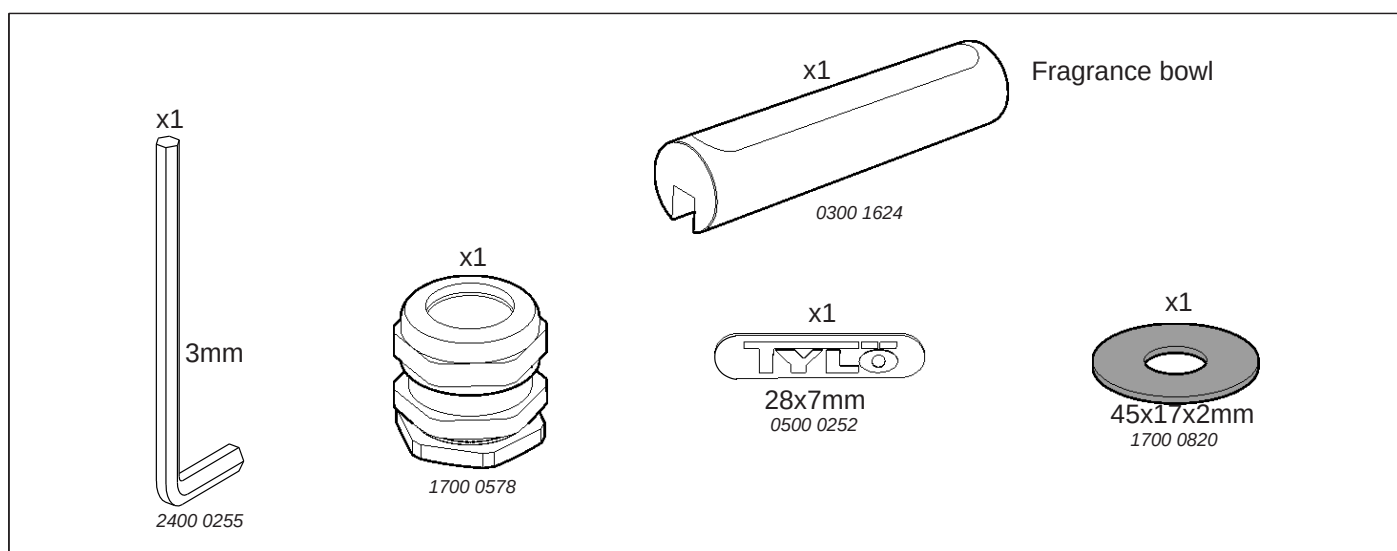
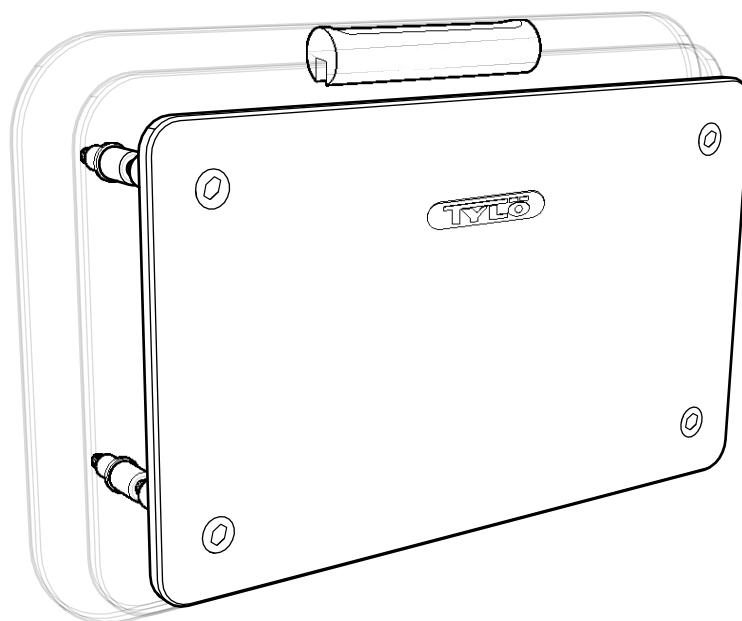
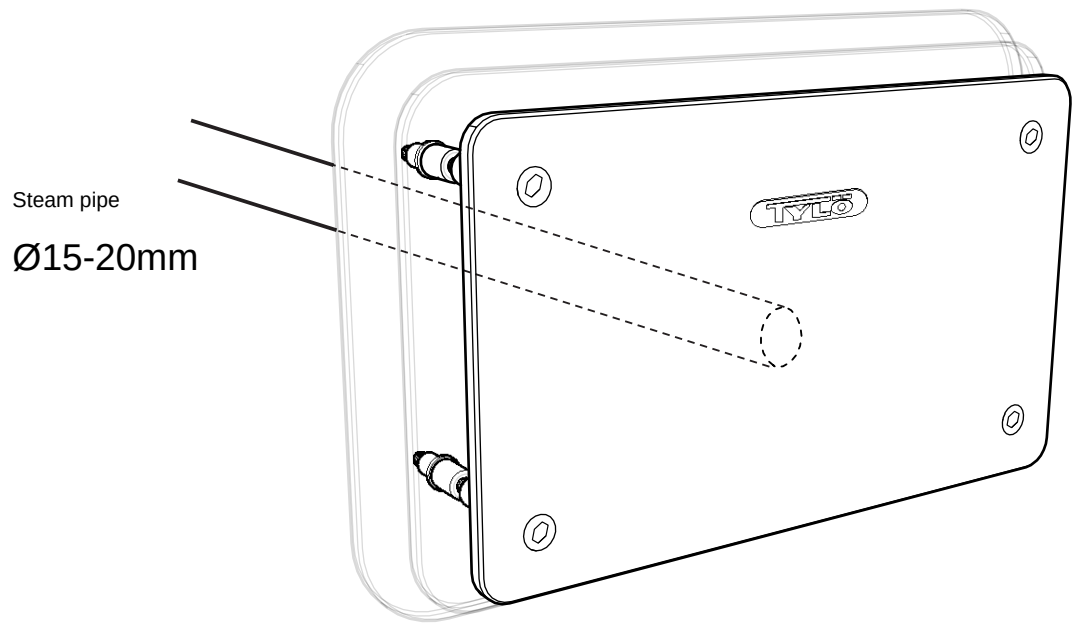


# Bahia Home Steam Outlet

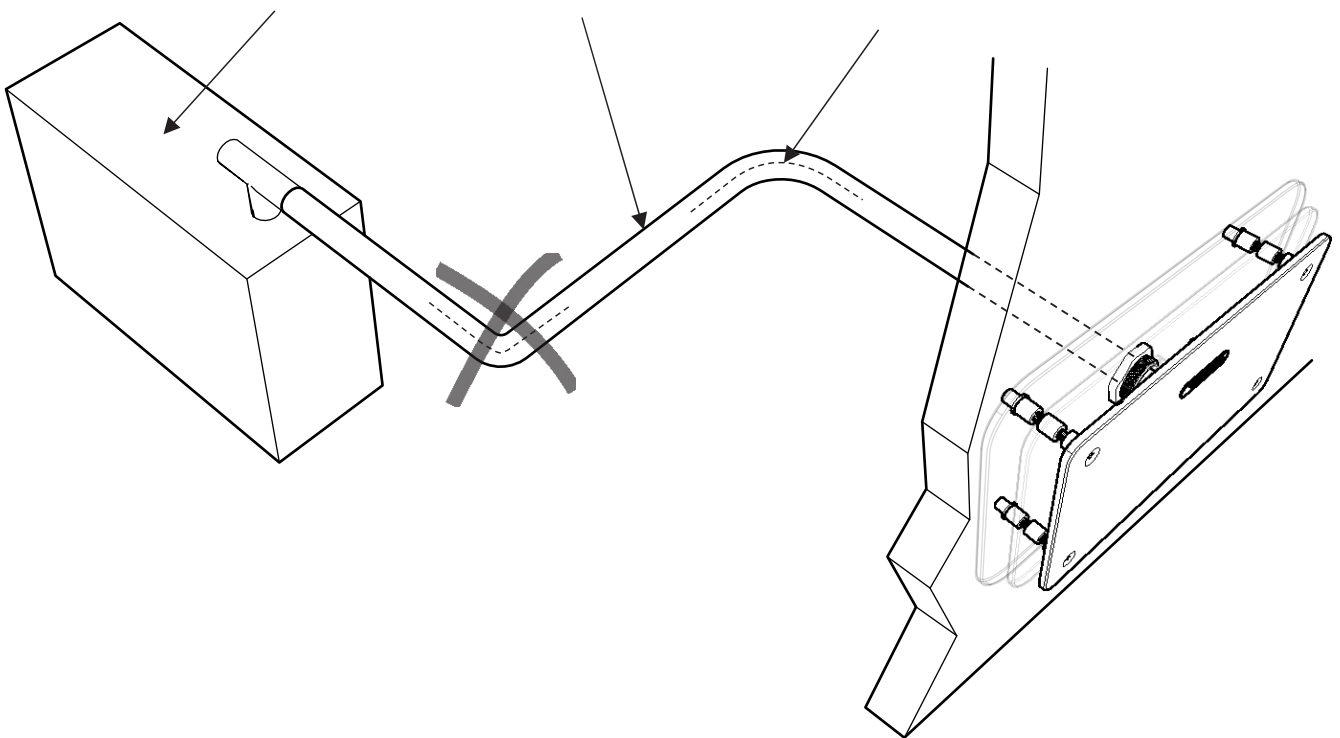




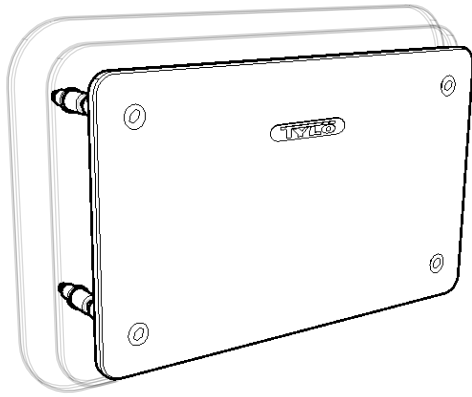
Steam generator

Steam pipe

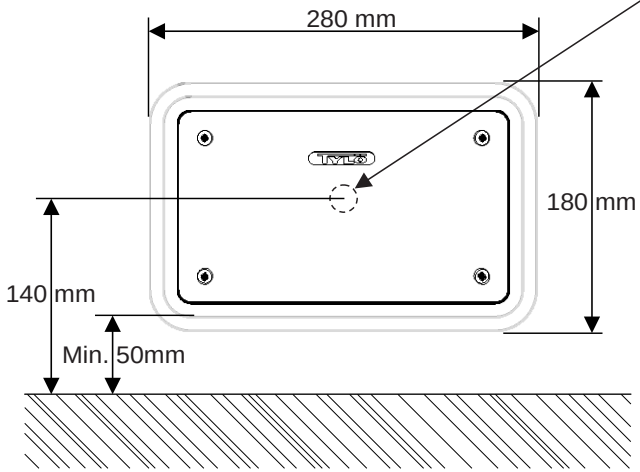
Minimum radius of 50 mm



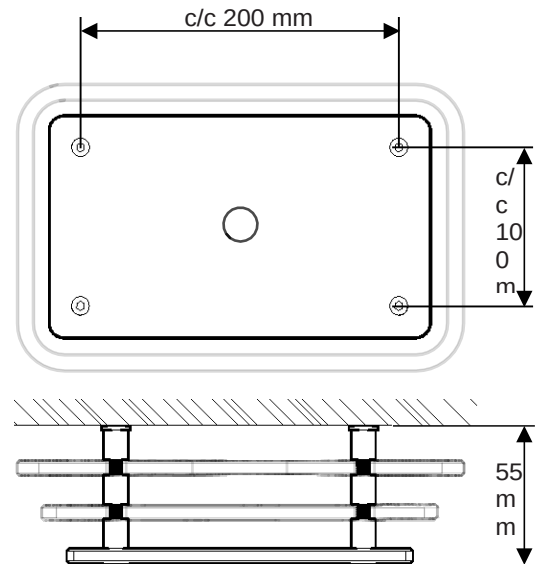
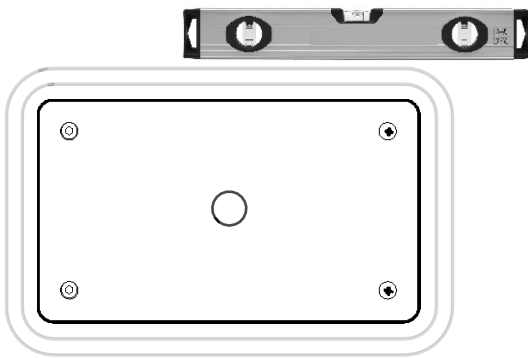
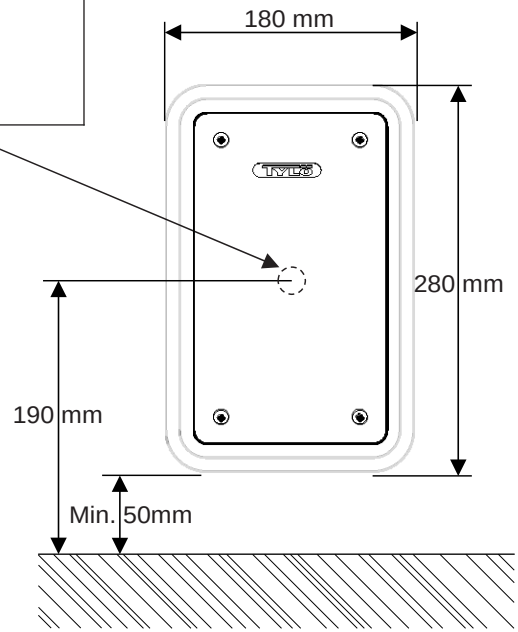
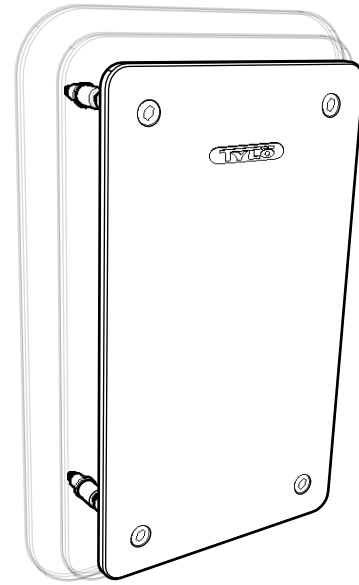
Alt. A



Steam pipe



Alt. B

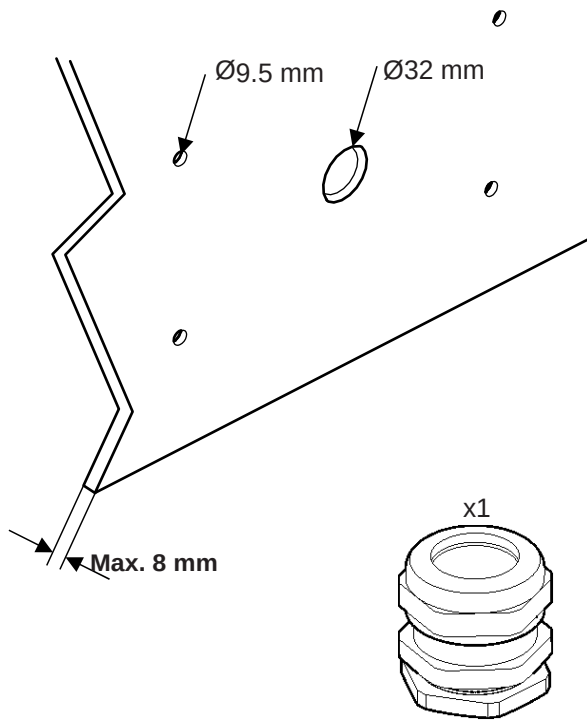


1 Alt. 1

Alt. 1

Steam pipe

Ø15-18mm

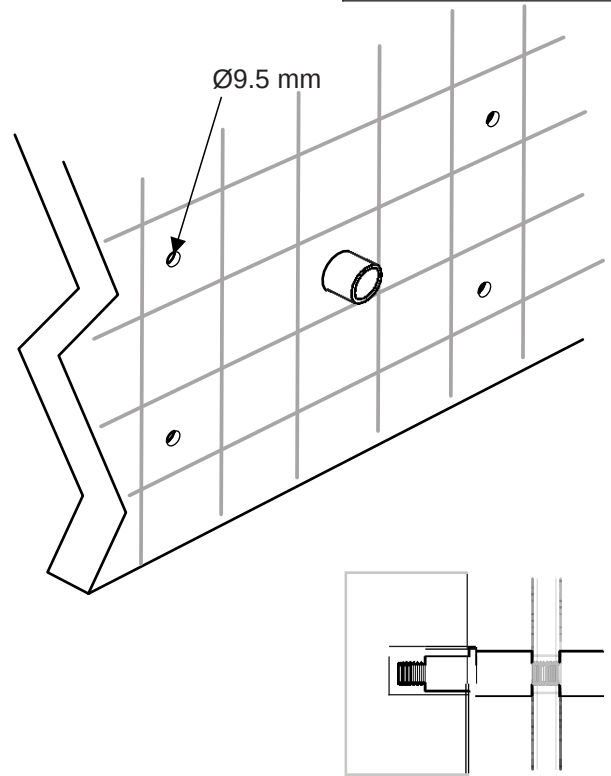


1 Alt. 2

Alt. 2

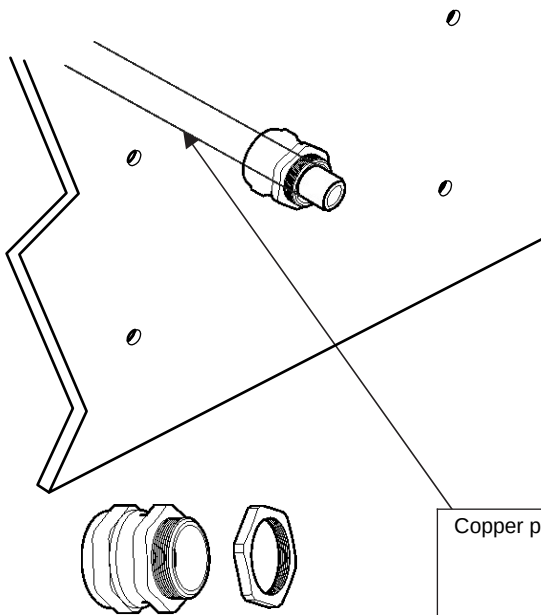
Steam pipe

Ø15-32mm



2

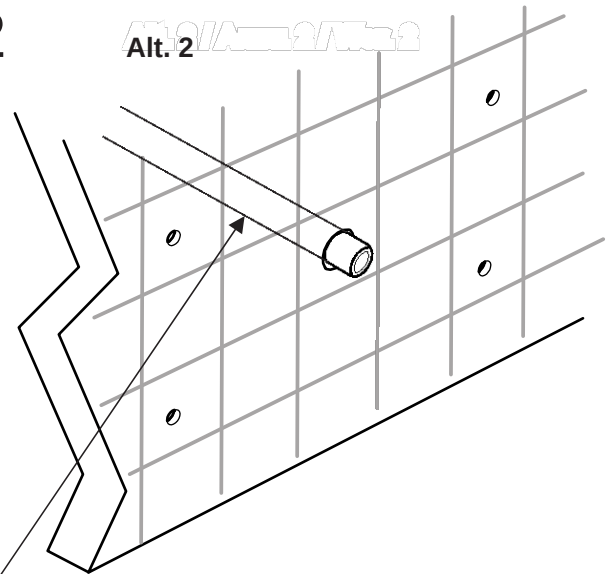
Alt. 1



Copper pipes with the correct slope

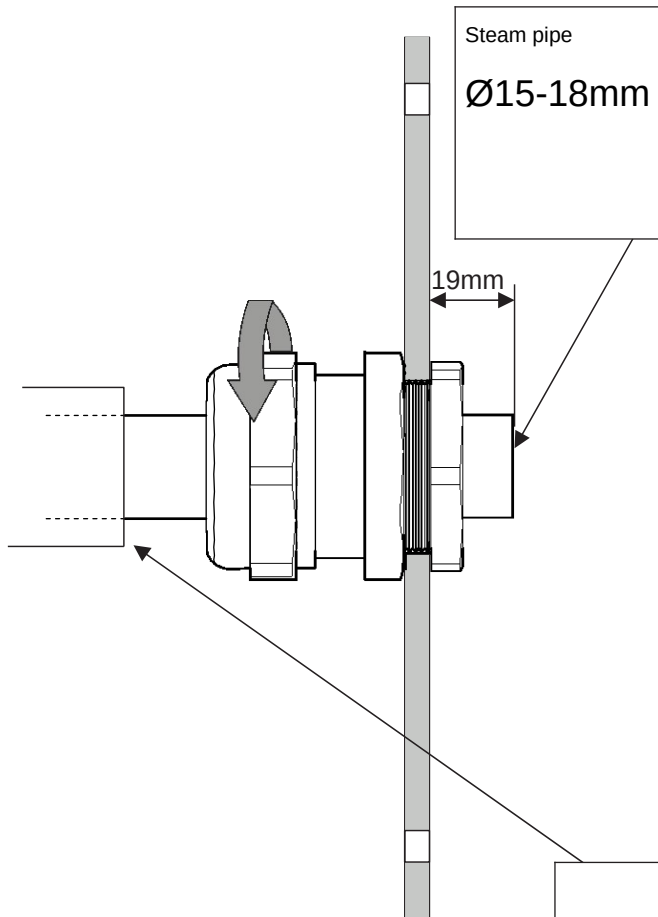
2

Alt. 2



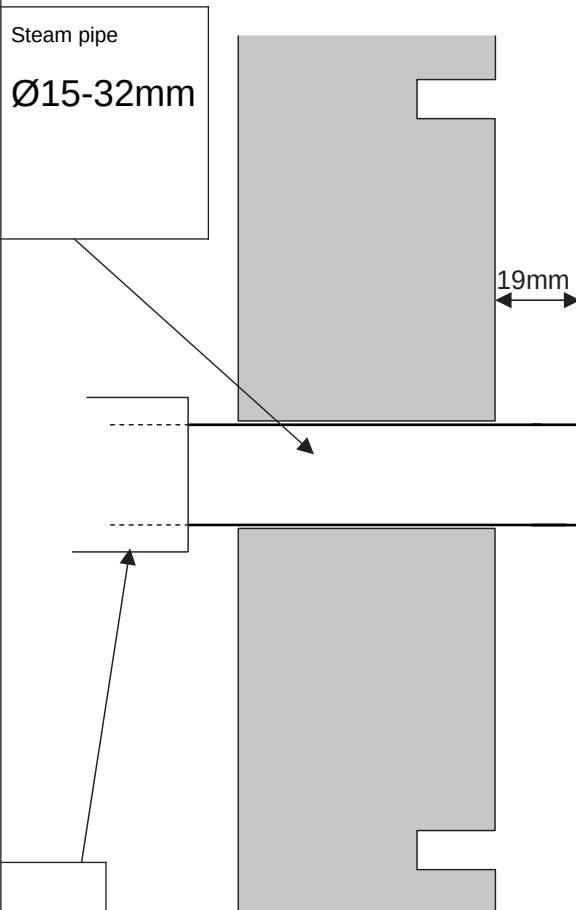
3

Alt. 1



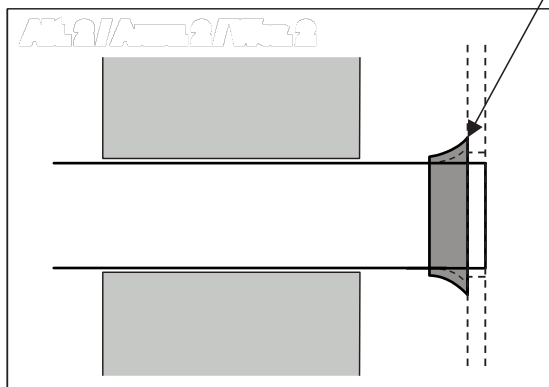
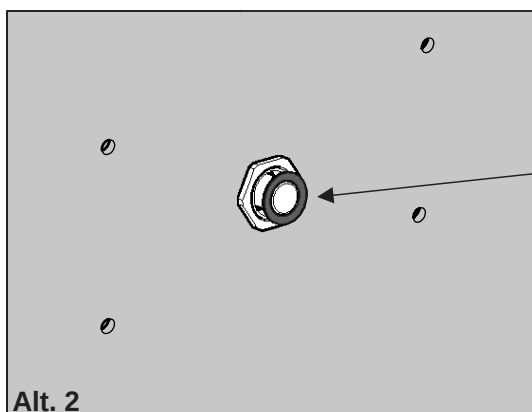
3

Alt. 2

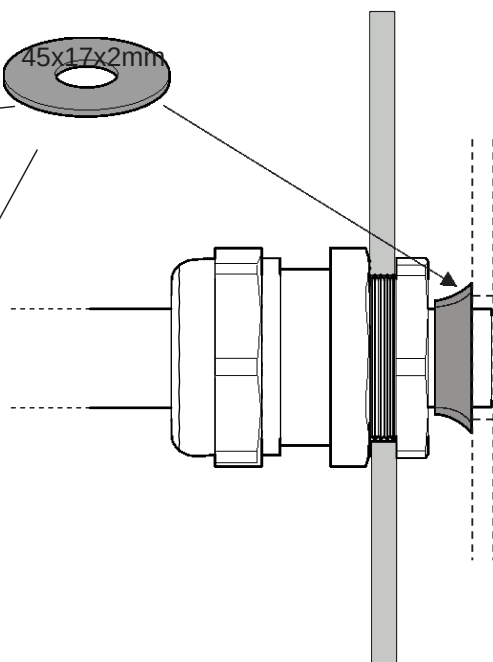


4

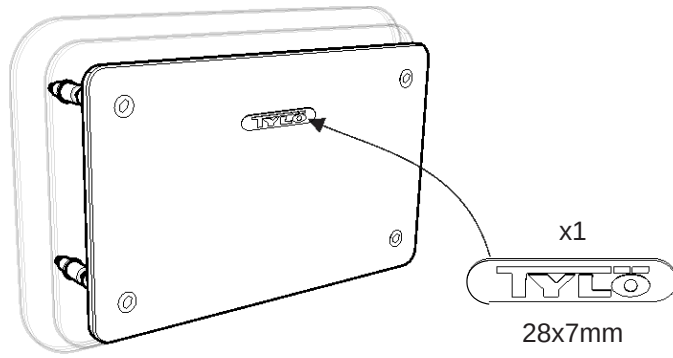
Alt. 1



45x17x2mm

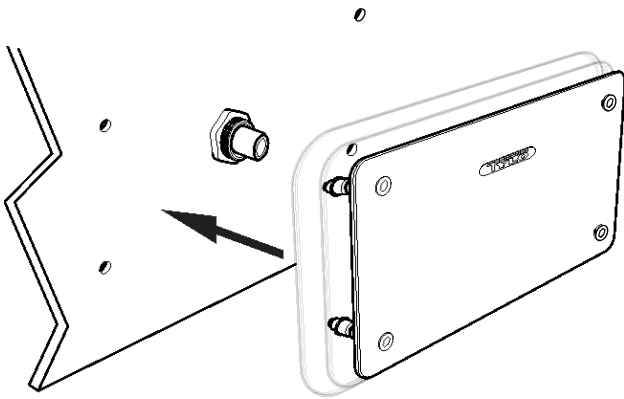


6



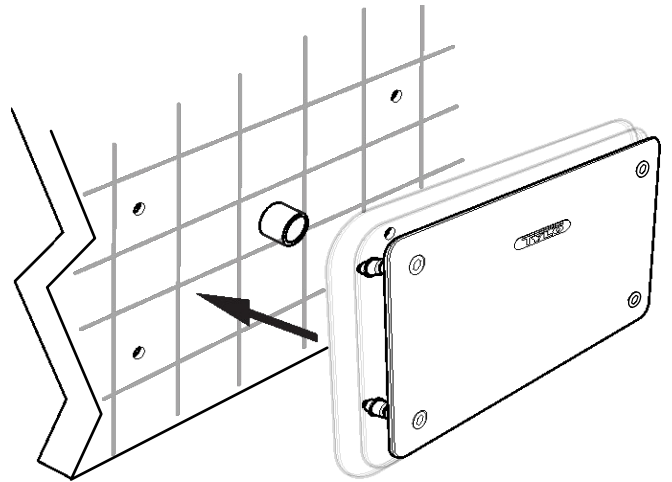
7

Alt. 1



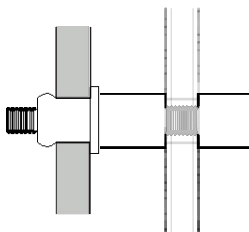
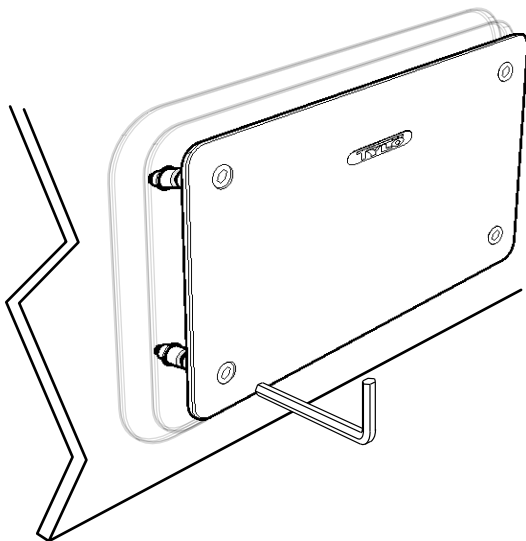
7

Alt. 2



8

Alt. 1



8

Alt. 2

